

WALK THROUGH METAL DETECTORS



APPLICATIONS

- ✦ Airports
- ✦ Banks
- ✦ Discos
- ✦ Industrial premises
- ✦ Law courts
- ✦ Public buildings
- ✦ Prisons
- ✦ And many other applications

OPERATION

The Popular 2000 was designed as a quality security detector with most features of the more expensive units.

The unit incorporates a detector coil and an infra-red photocell in each side. When a pre-settable amount of metal passing through the unit is exceeded, an audio alarm is given. In addition, a set of voltage-free contacts is provided to actuate a remote alarm, or lock a turnstile etc. The unit has indications of power as well as whether the unit is functioning correctly.

FEATURES

- ✦ Auto-balance
- ✦ Adjustable sensitivity
- ✦ Audio alarm
- ✦ Available in various colours
- ✦ Bi-directional operation
- ✦ Detects ferrous and non-ferrous metals
- ✦ Durable fiberglass construction
- ✦ Free standing
- ✦ Infra-red photo cell
- ✦ Interlocking relay
- ✦ Mass of metal indicator (optional)
- ✦ 3-part design for easy assembly and transportation (2100 unit only)



POPULAR 2000 WALK THROUGH METAL DETECTOR



POPULAR 2100 WALK THROUGH METAL DETECTOR

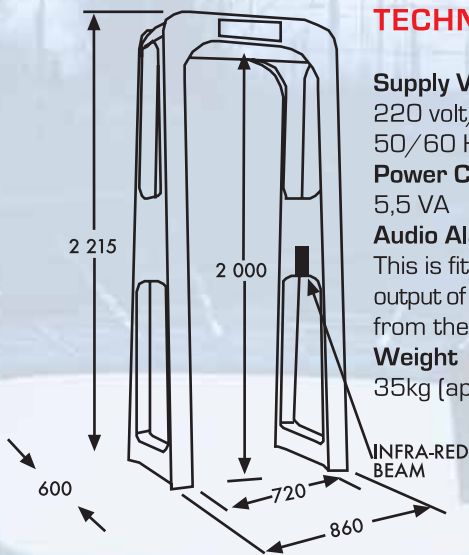
Due to constant upgrading and improvements, product specifications are subject to change without notice.

We specialise in the manufacture and distribution of Traffic Barriers, High Security Spike Barriers, Turnstiles (all types), Road Blockers, Magnetic Locks, Paraplegic Gates, Pedestrian Barriers, Bollards, Gooseneck Stands, Parking Control and Security Equipment.

WALK THROUGH METAL DETECTORS



POPULAR 2000



TECHNICAL DATA

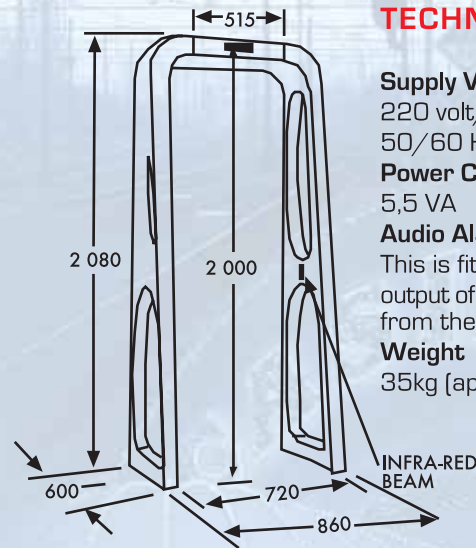
Supply Voltage
220 volt/ 110 volt
50/60 Hz $\pm 5\%$

Power Consumption
5,5 VA

Audio Alarm
This is fitted to provide an output of 75dB at 100mm from the unit

Weight
35kg (approx)

POPULAR 2100



TECHNICAL DATA

Supply Voltage
220 volt/ 110 volt
50/60 Hz $\pm 5\%$

Power Consumption
5,5 VA

Audio Alarm
This is fitted to provide an output of 75dB at 100mm from the unit

Weight
35kg (approx)

HAND HELD METAL DETECTORS

FEATURES

- Robust casing
- Audio alarm
- Various colours available
- Multi-coloured LED
- Wrist strap
- 9V Battery
- On/Off switch
- Simple to use

APPLICATION

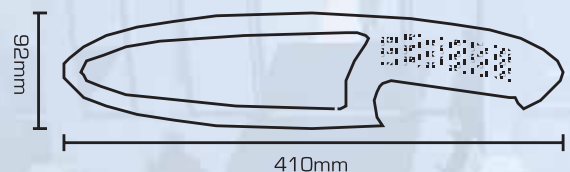
- Banks
- Sports events
- Casinos
- Corporate buildings
- Factories
- Mines
- Shopping malls
- Many other applications



PROBE 2101 HAND HELD METAL DETECTORS

TECHNICAL DATA

Supply Voltage: 9V Battery
Operation Frequency: 30 - 40kHz
Audio Frequency: 2.7kHz
Weight: 330g



Due to constant upgrading and improvements, product specifications are subject to change without notice.

We specialise in the manufacture and distribution of Traffic Barriers, High Security Spike Barriers, Turnstiles (all types), Road Blockers, Magnetic Locks, Paraplegic Gates, Pedestrian Barriers, Bollards, Gooseneck Stands, Parking Control and Security Equipment.