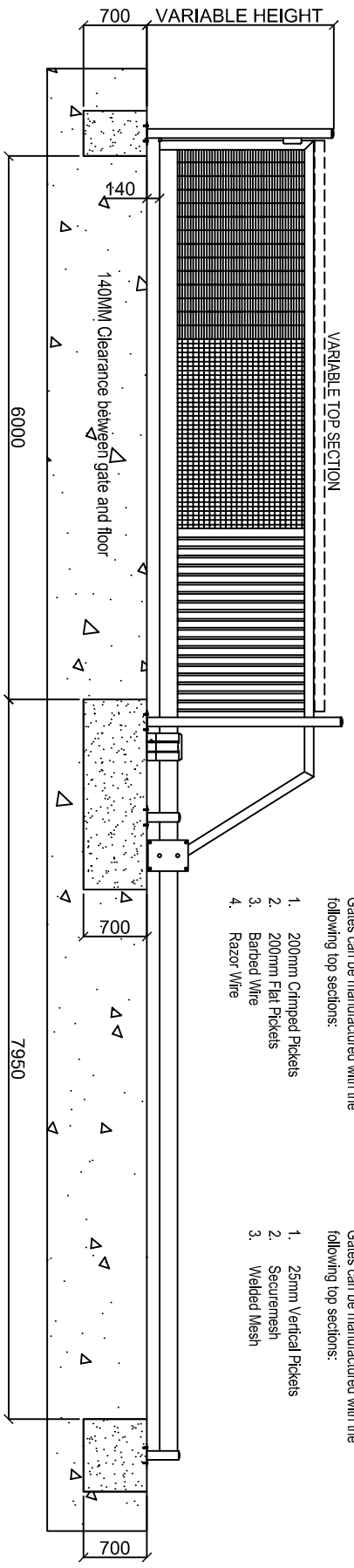
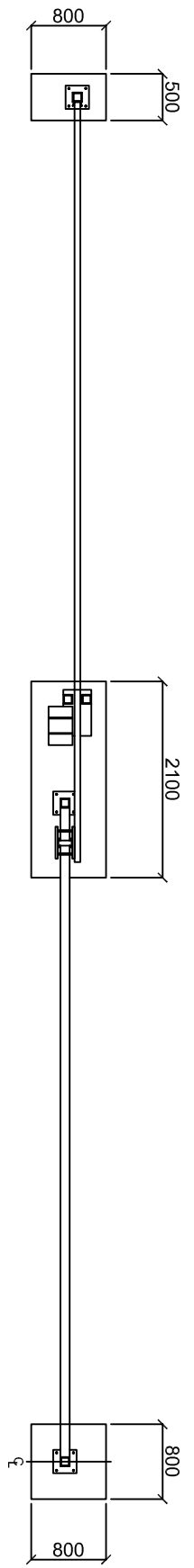


CANTILEVER GATE 6.0M OPENING SIZE



AVAILABLE TOP SECTIONS:

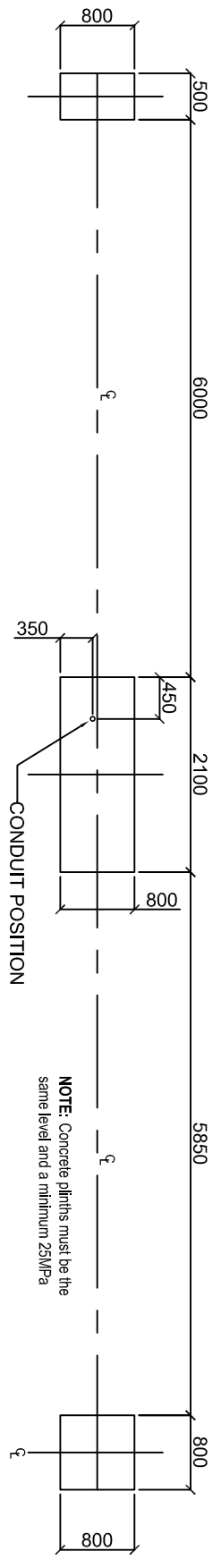
Gates can be manufactured with the following top sections:

1. 200mm Crimped Pickets
2. 200mm Flat Pickets
3. Barbed Wire
4. Razor Wire

AVAILABLE INFILL SECTIONS:

Gates can be manufactured with the following top sections:

1. 25mm Vertical Pickets
2. Securemesh
3. Welded Mesh



NOTE: Concrete pilihs must be the same level and a minimum 25MPa

DATE: 14-07-2011	DRAWING DESCRIPTION: 6M CANTILEVER GATE	THIS DRAWING IS THE PROPERTY OF BOOMGATE SYSTEMS. IT IS SUPPLIED ON LOAN FOR YOUR CONFIDENTIAL INFORMATION AND MUST NOT BE COPIED. ON REQUEST THIS DRAWING MUST BE RETURNED TO BOOMGATE SYSTEMS.
DRAWN BY: SHANE VAN DAM		UNLESS OTHERWISE SPECIFIED DIMENSIONS ARE IN MILLIMETERS