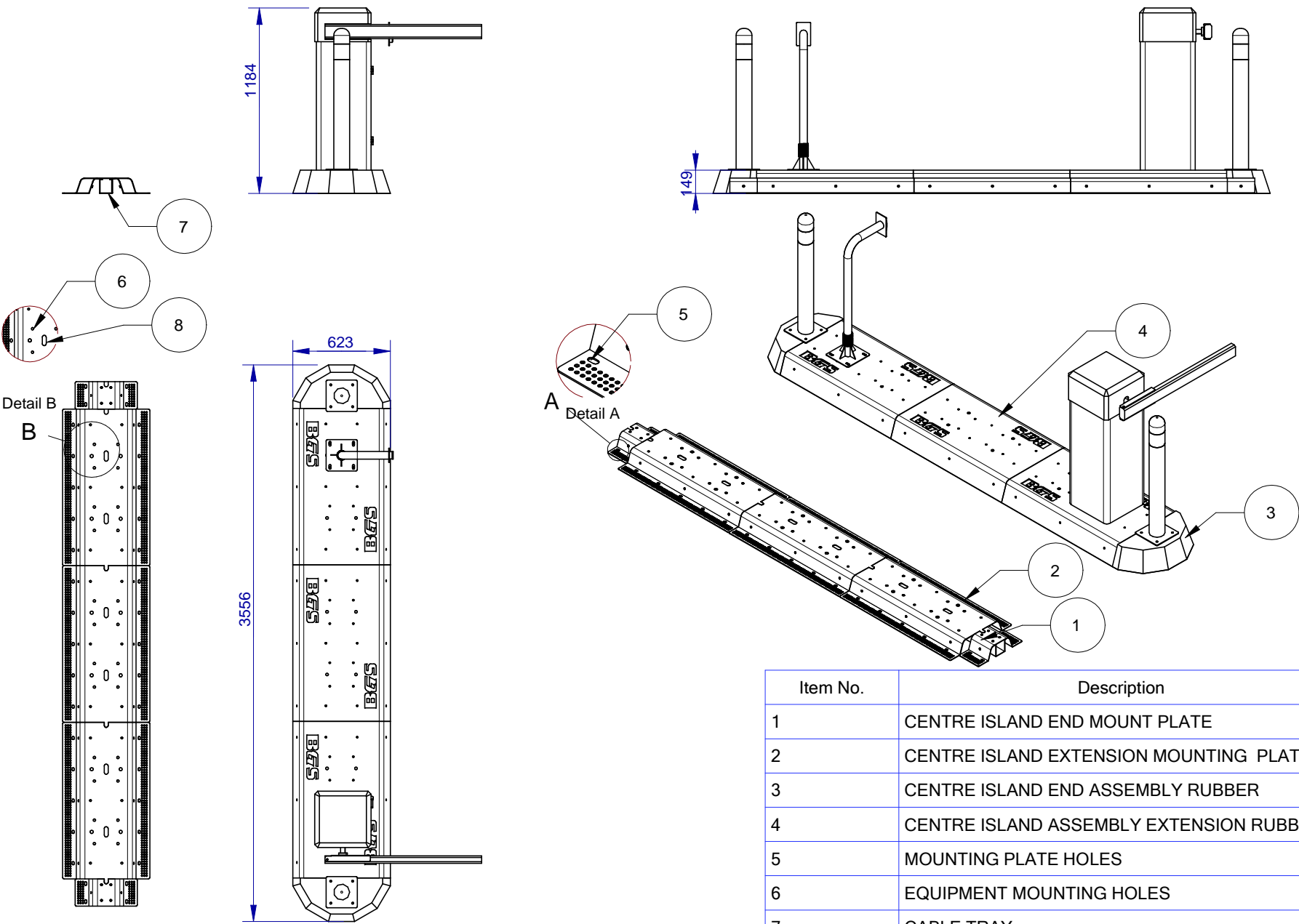


600 SERIES RUBBER ISLAND



| Item No. | Description | Weight KG |
|----------|---|-----------|
| 1 | CENTRE ISLAND END MOUNT PLATE | 2.15KG |
| 2 | CENTRE ISLAND EXTENSION MOUNTING PLATE | 14.60KG |
| 3 | CENTRE ISLAND END ASSEMBLY RUBBER | 44.40KG |
| 4 | CENTRE ISLAND ASSEMBLY EXTENSION RUBBER | 34.20KG |
| 5 | MOUNTING PLATE HOLES | |
| 6 | EQUIPMENT MOUNTING HOLES | |
| 7 | CABLE TRAY | |
| 8 | CABLE ENTRY HOLES | |

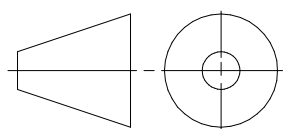
DIMENSIONS ARE IN MILLIMETERS

PATENT PENDING NO.2010/03836



This drawing is the property of Boomgate Systems. It is supplied on loan for your confidential information and must not be copied. On request this drawing must be returned to Boomgate Systems

| | |
|------------|----------------------|
| Material: | CENTRE RUBBER ISLAND |
| Part name: | 600 SERIES |
| Drawn by: | SHANE VAN DAM |
| Date: | 10-08-2010 |
| Scale: | 1:35 |



Customer:
BOOMGATE SYSTEMS
 Part description:
CENTRE ISLAND 600 SERIES