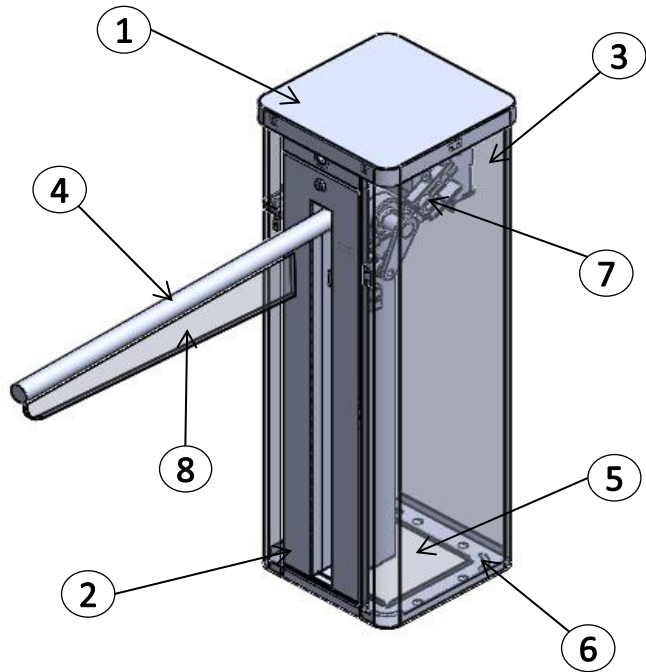




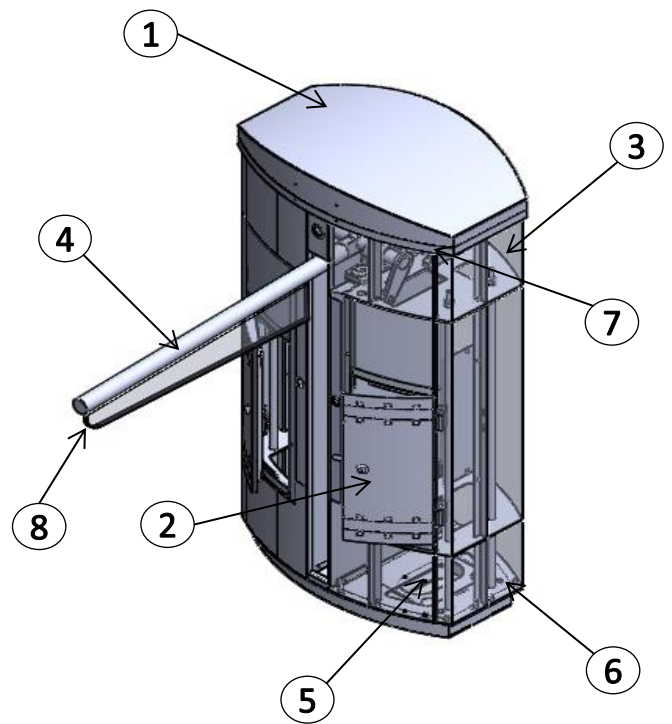
# PEDESTRIAN DROP ARM BARRIER



## SQUARE DROP ARM BARRIER



## EURO STYLE DROP ARM BARRIER



## DROP ARM BARRIER TECHNICAL SPECIFICATIONS

- 1) Removable lid
- 2) Lockable and removable door
- 3) Reader mounting position
- 4) 38mm Round tube stainless steel arm
- 5) Cable entry
- 6) Floor fixing position 4 x M12 Rawl bolts
- 7) Motor drive
- 8) Polycarbonate skirt