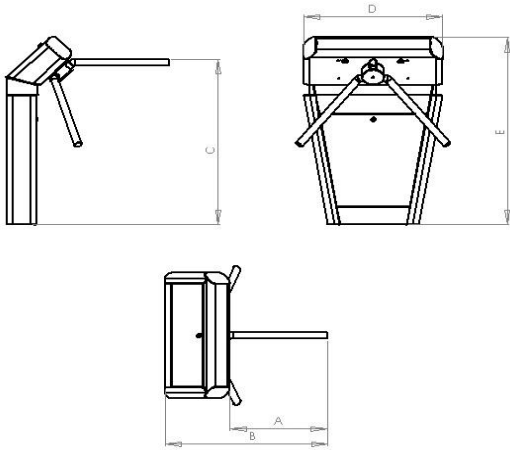




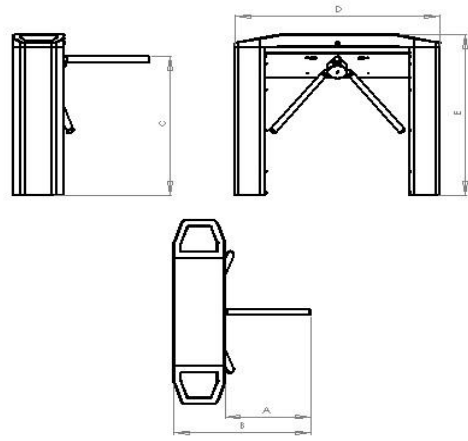
TWISTER® RANGE



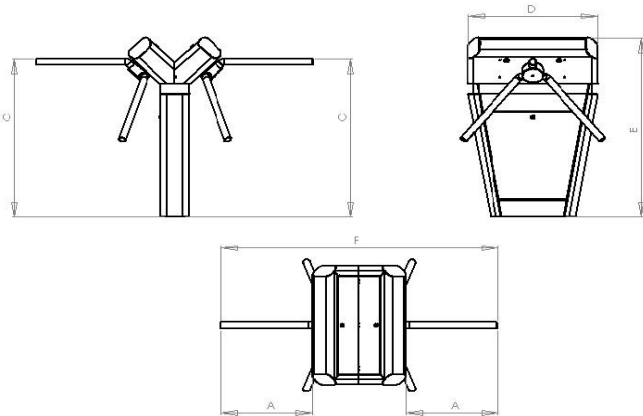
TWISTER® EURO SINGLE



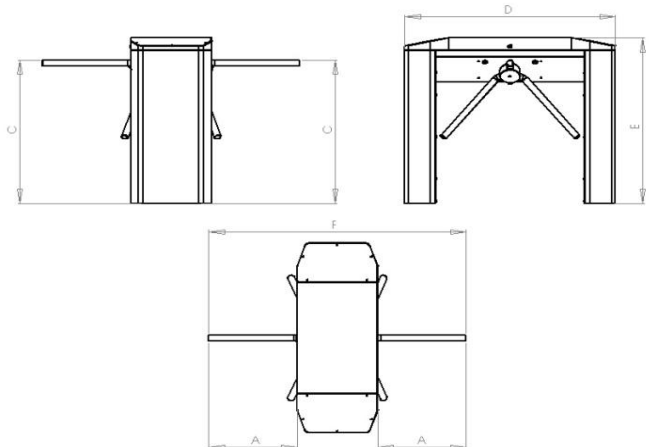
TWISTER® SLIMLINE SINGLE



TWISTER® EURO DOUBLE



TWISTER® SLIMLINE DOUBLE



A	Arm Length	505 mm
B	Overall Width	840 mm
C	Arm Height	955 mm
D	Unit Depth	715 mm
E	Overall Unit Height	1080 mm
F	Overall Width	1520 mm

A	Arm Length	505 mm
B	Overall Width	805 mm
C	Arm Height	910 mm
D	Unit Depth	1200 mm
E	Overall Unit Height	1050 mm
F	Overall Width	1470 mm

Due to continuous improvement, products and design are subject to change without notice.

Boomgate Systems (Pty) Ltd
 P O Box 825
 Strubensvalley
 1735

18 Minerva Ave
 Leaglen, Florida,
 Roodepoort, South Africa

Tel: +27 11 674 4441
 Fax: +27 11 674 4450

